

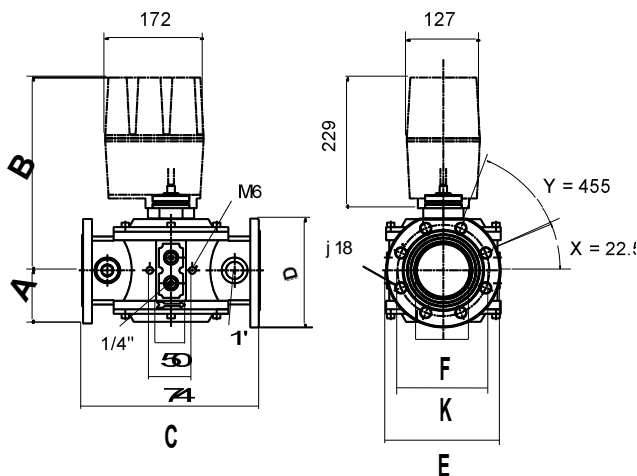
VE5000 Series

CLASS "A" SAFETY SHUT-OFF VALVE VE5000A



FEATURES

- Normally Closed valve. (spring loaded valve disc, closed when de-energized).
- 4 auxiliary pressure taps with Rp 1/4" threaded connections, 2 on the inlet pressure side and 2 on the outlet pressure side.
- Equipped at both sides with mounting holes to adapt a pilot solenoid valve combination Rp 1" (for DN100 Rp 3/4"), to allow either internal or external pilot gas. Optional mounting possibility to adapt an A4021A Valve Proving System.
- The VE5000C series have a special characterized valve plug which provides characterized opening for HI-LOW-OFF or modulating control.
- The valve remains tight when the actuator is replaced.
- Internal fine mesh screen (except DN100).



NOTES: The VE5065A/C has 4 flange holes instead of 8;
Y = 90°, X = 45°

Fig. 1. Dimensional drawing VE5000 Series

APPLICATION

The VE5000 Series gas valves are for use with Honeywell V4055, V4062 and V9055 fluid power actuators to regulate the gas flow to commercial and industrial size burners. The valve meets current European approval requirements regarding flow control and safety shut-off functions. They may be used with natural and manufactured gases.

SPECIFICATION

Product range

The VE5000 Series safety shut-off valves offer the following functionalities:

- Normally Closed, non-regulating ON/OFF

Dimensions

See figure and table below

Pipe sizes

Inlet and outlet flange connection DN65, DN80 and DN100 according to PN16 ISO 7005-1.

Mounting and orientation

The valve may be assembled on the pipeline within plus or minus 90 degrees of the vertical axis and 30 cm. air space around the actuator.

Capacity

See capacity curves VE5000 Series on last page.

Maximum operating pressure (mbar)

Model	Actuator type*		
	V4055A	V4055B	V4062
VE5065A	360	-	360
VE5080A	360	-	360
VE5100A	-	360	-

* recommended Honeywell actuators

(supply voltage: 115 or 230 Vac)

Maximum valve body rating

3 bar

Torsion and bending stress

Pipe connections meet group 2, according to EN161 requirements

Ambient temperature range

-15 ... 60 °C

Valve body

Aluminium alloy die-cast

Strainer

AISI 303 steel

Closing spring

AISI 302 steel

Valve plunger

AISI 303 steel sliding on anti-friction bearing.

Seals and gaskets

Hydrocarbon resistant NBR rubber type

Standards and Approvals

The VE5000 Series gas valves conform with the following EC directives:

- Gas Appliance Directive (90/396/EEC)
PIN: CE-0063AP3075/2

Table 1. VE5000A Series, overview.

O.S Number	Passing DN	Maximum Operating Pressure (mbar) ¹⁾	Overall Dimensions (mm)							Weight (kg)
			A	B	C	D	E	F	K	
VE5065A3005	65	360	93	338	310	183	190	92	145	7.3
VE5080A3004	80	360	93	338	310	191	190	92	160	7.6
VE5100A3000	100	360	103	345	350	206	250	109	180	15

¹⁾ depending on the actuator
K = diameter of bolt circle

Model	Connection	Capacity
VE5065A	DN65	123
VE5080A	DN80	155
VE5100A	DN100	270

capacity in m³/h air at np = 2,5 mbar
(SG=1 at 1013 mbar, 15°)

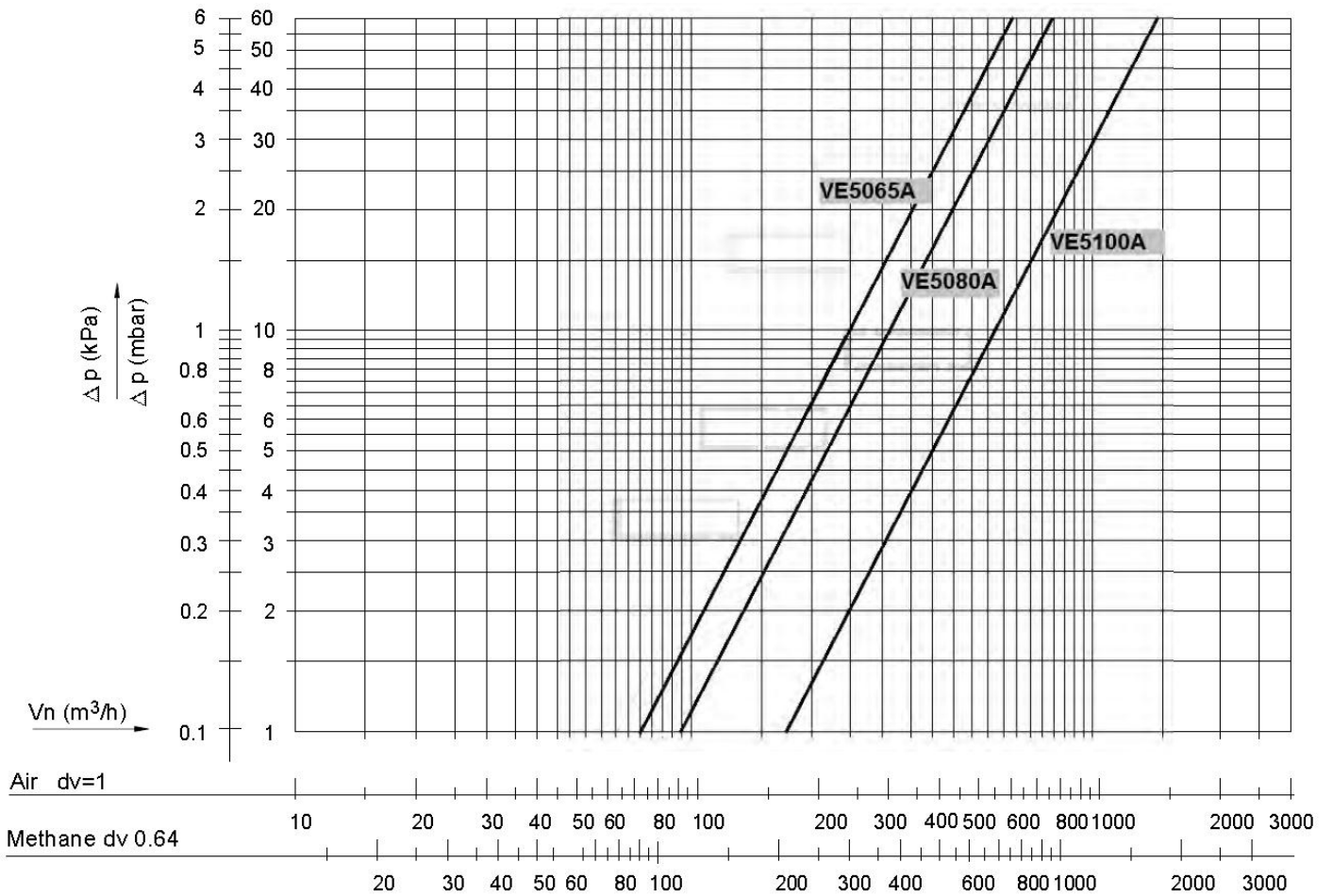


Fig. 2. Capacity curves for VE5000A Series