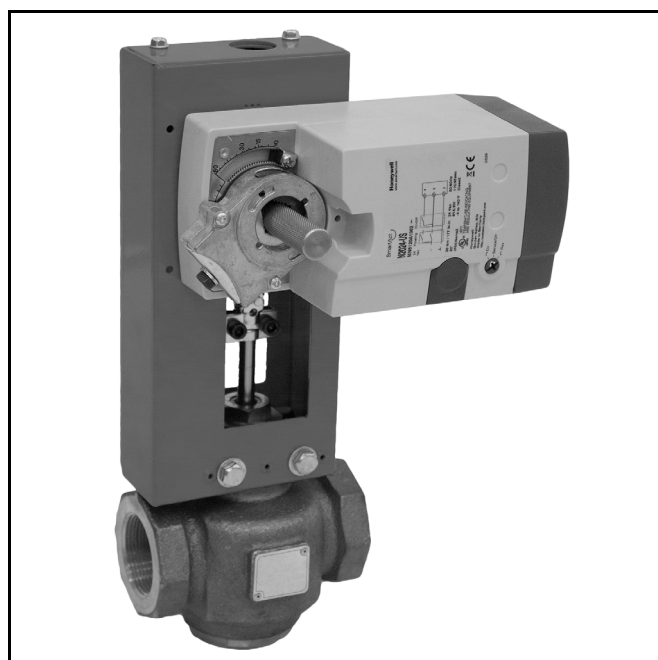


Q5024A,B Globe Valve Linkages

FOR DIRECT COUPLED ACTUATORS

PRODUCT DATA



- Quick and simple installation with no disassembly required.
- Heavy-duty steel rack and pinion construction and aluminum die-cast housing.
- Maintenance-free construction.
- Flexible actuator mounting orientation.
- Adjustable manual override lever and valve position indicator.
- Available for 1/2" through 6" globe valves made by most manufacturers.

SPECIFICATIONS

Models: See Table 1.

Table 1. Models.

Linkage	Actuator Qty*	Valve Stroke
Q5024A1116	1	0.63" / 16mm
Q5024A1123	1	0.91" / 23mm
Q5024A1130	1	1.18" / 30mm
Q5024B2230	2	1.18" / 30mm
Q5024B2240	2	1.57" / 40mm

* See Table 3 for Linkage and Actuator selection.

Dimensions: See Fig. 1.

Temperature Range:

Ambient Range: -40°F to 140°F (-40°C to 60°C).

Materials of Construction:

Housing: Cold Rolled Steel
 Rack and Pinion Gears: Steel
 Bushing and Clip: Brass

APPLICATION

Q5024 globe valve linkages connect a Honeywell direct coupled actuator (DCA) to a steam or water globe valve. Q5024 linkages are compatible with 2- and 3-way globe valves.

FEATURES

- Used with 2-way and 3-way globe valves in modulating or two-position service.
- Used with 27, 44, 88, and 175 lb-in. spring return and 35, 70, 175, and 300 lb-in. non-spring return DCA.

Contents

Application	1
Specifications	1
Installation	13
Checkout	14
Special Order Form	15



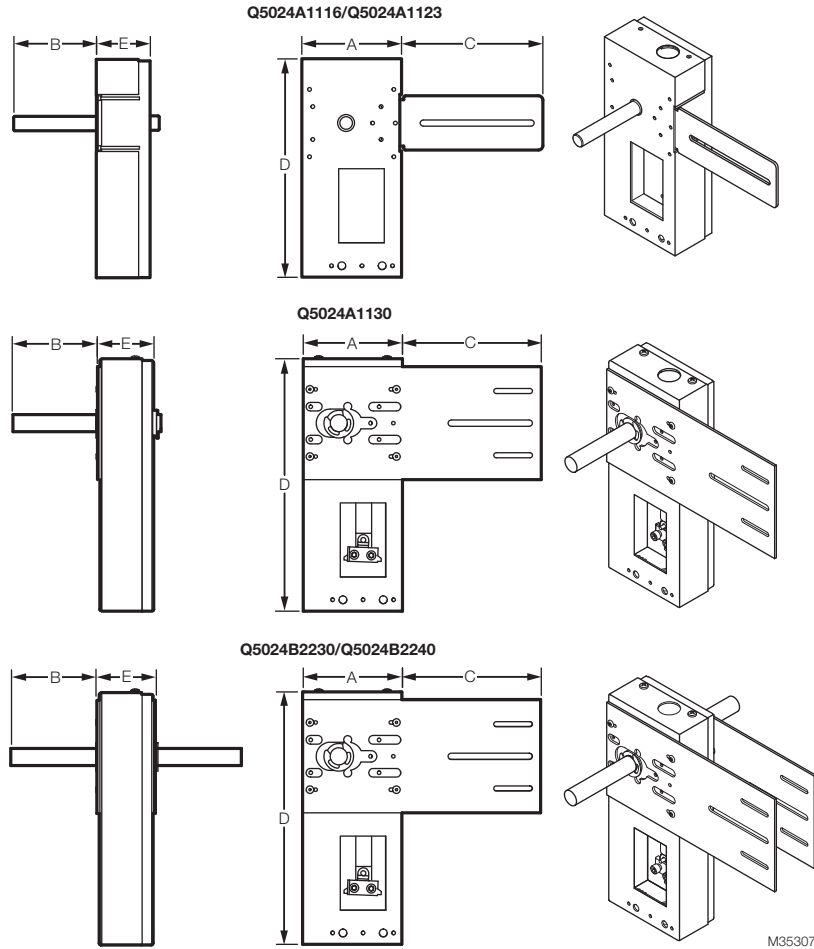


Fig. 1. Q5024 Dimensions.

Table 2. Dimensions in Inches.

Linkage	A	B	C	D	E	Shaft Dia.
Q5024A1116 Q5024A1123	4-3/8"	3-1/2"	6-1/4"	9-1/2"	2-1/2"	16mm
Q5024A1130 Q5024B2230 Q5024B2240	4-3/8"	4"	6"	11"	2-3/8"	19mm

ORDERING INFORMATION

When purchasing replacement and modernization products from your TRADELINE® wholesaler or distributor, refer to the TRADELINE® Catalog or price sheets for complete ordering number. If you have additional questions, need further information, or would like to comment on our products or services, please write or phone:

1. Your local Honeywell Environmental and Combustion Controls Sales Office (check white pages of your phone directory).
2. Honeywell Customer Care
1985 Douglas Drive North
Golden Valley, Minnesota 55422-4386
3. <http://customer.honeywell.com> or <http://customer.honeywell.ca>

International Sales and Service Offices in all principal cities of the world. Manufacturing in Belgium, Canada, China, Czech Republic, Germany, Hungary, Italy, Mexico, Netherlands, United Kingdom, and United States.

LINKAGE SELECTION INSTRUCTION

When selecting your linkage look at the Table 3 for the valve model list. Select the correct valve size to see the recommended linkage and bonnet adapter. Choose the correct actuator torque based on necessary close-off pressure. If model you are looking for is not listed fill out the Special Order Form located below.

If you do not have the exact part number or valve size, measure the valve stroke and select the corresponding linkage from Table 1. Next, select the appropriate bonnet adapter kit from Table 5. This kit includes variety of bonnet adapters for you to choose from at the job site.

Table 3. Linkage and Actuator Selection.

Manufacturer	Valve Model	Single Actuator Linkage					
		Valve Connection Size (inch)	Linkage and Bonnet Adapter	Actuator Torque (lb-in)			
Close-Off (psi)							
Honeywell	V5011A,B,F,G,N V5013C,D,N	0.5	Q5024A1123 and HU5024-001	230	230		
		0.75		130	230		
		1		80	140	230	
		1.25		50	90	200	
		1.5			65	140	
		2			35	80	140
		2.5				55	90
		3				35	65
		Dual Actuator Linkage					
		Valve Connection Size (inch)	Linkage and Bonnet Adapter	Actuator Torque (lb-in)			
				350 (2 x 175)		600 (2 x 300)	
	Close-Off (psi)						
	2	Q5024B2230 and HU5024-001	118				
	2.5		75		123		
	3		50		80		
	4	Q5024B2240 and HU5024-002	18		38		
	5		12		21		
	6		10		16		
	VGF	Single Actuator Linkage					
Valve Connection Size (inch)		Linkage and Bonnet Adapter	Actuator Torque (lb-in)				
		44	88	175	300		
Close-Off (psi)							
2.5		Q5024A1123 and HU5024-001			52	88	
3					26	42	
Dual Actuator Linkage							
Valve Connection Size (inch)		Linkage and Bonnet Adapter	Actuator Torque (lb-in)				
		350 (2 x 175)		600 (2 x 300)			
Close-Off (psi)							
2.5	Q5024B2240 and HU5024-002	110		190			
3		55		94			
4		27		47			
5		11		18			
6		11		18			

Table 3. Linkage and Actuator Selection. (Continued)

Honeywell (continued)	VGF Pressure Balanced	Dual Actuator Linkage					
		Valve Connection Size (inch)	Linkage and Bonnet Adapter	Actuator Torque (lb-in)			
				350 (2 x 175)		600 (2 x 300)	
				Close-Off (psi)			
2.5	Q5024B2230 and HU5024-002	175			175		
3		175			175		
4	Q5024B2240 and HU5024-002	175			175		
5		175			175		
6		175			175		
Manufacturer	Valve Model	Single Actuator Linkage					
Johnson Control	V90AD-1C thru 7C V90DD-1C thru 7C	Valve Connection Size (inch)	Linkage and Bonnet Adapter	Actuator Torque (lb-in)			
				44	88	175	300
				Close-Off (psi)			
		0.5	Q5024A1116 and JU5024-005	230	230		
		0.75		165	230		
	1	Q5024A1123 and JU5024-005	80	140			
	1.5			65	140		
	0.5	Q5024A1123 and JU5024-005	230	230			
	0.75		130	230			
	1		80	140	230		
	1.25		50	90	200		
	1.5			65	140		
	2			35	80	140	
	2.5		Q5024A1123 and JU5024-002			55	90
	Dual Actuator Linkage						
		Actuator Torque (lb-in)					
		350 (2 x 175)		600 (2 x 300)			
		Close-Off (psi)					
3	Q5024B2230 and JU5024-002	50		80			

Table 3. Linkage and Actuator Selection. (Continued)

Johnson Control (continued)	Valve Model	Single Actuator Linkage						
		Valve Connection Size (inch)	Linkage and Bonnet Adapter	Actuator Torque (lb-in)				
	44			88	175	300		
VG7000/2000 Series		Close-Off (psi)						
		0.5	Q5024A1116 and JU5024-001	230	230			
		0.75		165	230			
		1	Q5024A1116 and JU5024-003	100	190			
		1.25		65	120			
		1.5	Q5024A1123 and JU5024-003		65	140		
		2			35	80	140	
		2.5	Q5024A1123 and JU5024-004			55	90	
		Dual Actuator Linkage						
				Actuator Torque (lb-in)				
			350 (2 x 175)		600 (2 x 300)			
			Close-Off (psi)					
		3	Q5024B2230 and JU5024-004	50		80		
		4		18		48		
		5	Q5024B2240 and JU5024-004	12		21		
		6		10		16		
VTM Series VB-3752		Actuator Torque (lb-in)						
		350 (2 x 175)		600 (2 x 300)				
		Close-Off (psi)						
		0.5	Q5024A1116 and JU5024-005	230	230			
		0.75		165	230			
		1		100	190			
		1.25	Q5024A1123 and JU5024-005	50	90			
		1.5			65	140		
		2			35	80	140	
		2.5	Q5024A1123 and JU5024-002			55	90	
	Dual Actuator Linkage							
			Actuator Torque (lb-in)					
			350 (2 x 175)		600 (2 x 300)			
			Close-Off (psi)					
		3	Q5024B2230 and JU5024-002	50		80		
		4		18		48		
	5	Q5024B2240 and JU5024-006	12		21			
	6	Q5024B2240 and JU5024-004	10		16			

Table 3. Linkage and Actuator Selection. (Continued)

Johnson Control (continued)	Valve Model	Single Actuator Linkage									
		Valve Connection Size (inch)	Linkage and Bonnet Adapter	Actuator Torque (lb-in)							
	44			88	175	300	Close-Off (psi)				
VB-3754-1 thru 8 VB-3970		0.5	Q5024A1116 and JU5024-005	230	230						
		0.75		165	230						
		1	Q5024A1123 and JU5024-005	80	140						
		1.25		50	90	200					
		1.5			65	140					
		2			35	80	140				
		2.5	Q5024A1123 and JU5024-002			55	90				
		Dual Actuator Linkage									
				Actuator Torque (lb-in)							
				350 (2 x 175)		600 (2 x 300)					
				Close-Off (psi)							
		3	Q5024B2230 and JU5024-002	50		80					
		4		18		48					
		5	Q5024B2240 and JU5024-006	12		21					
6	10			16							
Valve Model		Single Actuator Linkage									
		Valve Connection Size (inch)	Linkage and Bonnet Adapter	Actuator Torque (lb-in)							
				44	88	175	300	Close-Off (psi)			
VB-3954-1 thru 7 VB-4324-1 thru 7 VB-4322		0.5	Q5024A1116 and JU5024-005	230	230						
		0.75		165	230						
		1	Q5024A1123 and JU5024-005	80	140						
		1.25		50	90	200					
		1.5			65	140					
		2			35	80	140				
		2.5	Q5024A1123 and JU5024-002			55	90				
		Dual Actuator Linkage									
				Actuator Torque (lb-in)							
				350 (2 x 175)		600 (2 x 300)					
				Close-Off (psi)							
		3	Q5024B2230 and JU5024-002	50		80					
		4		18		48					
		5	Q5024B2240 and JU5024-006	12		21					
6	10			16							

Table 3. Linkage and Actuator Selection. (Continued)

Johnson Control (continued)	Valve Model	Single Actuator Linkage					
		Valve Connection Size (inch)	Linkage and Bonnet Adapter	Actuator Torque (lb-in)			
V-5462				2.5	Q5024A1123 and JU5024-006	44	88
		Close-Off (psi)					
						55	90
		Dual Actuator Linkage					
				Actuator Torque (lb-in)			
				350 (2 x 175)	600 (2 x 300)		
				Close-Off (psi)			
		3	Q5024B2230 and JU5024-006	50	80		
		4		18	48		
		5	Q5024B2240 and JU5024-006	12	21		
6		10	16				
Manufacturer	Valve Model	Single Actuator Linkage					
Siemens Landis Powers	590 (3 way)	Valve Connection Size (inch)	Linkage and Bonnet Adapter	Actuator Torque (lb-in)			
				44	88	175	300
				Close-Off (psi)			
		1.5	Q5024A1116 and GU5024-002		85		
		2			45		
		2.5	Q5024A1123 and GU5024-002			55	90
		3				35	65
		Dual Actuator Linkage					
				Actuator Torque (lb-in)			
				350 (2 x 175)	600 (2 x 300)		
		Close-Off (psi)					
4	Q5024B2230 and GU5024-003	18	48				
5	Q5024B2240 and GU5024-003	12	21				
6		10	16				

Table 3. Linkage and Actuator Selection. (Continued)

Siemens Landis Powers (continued)	Valve Model	Single Actuator Linkage						
	591 (2 way)	Valve Connection Size (inch)	Linkage and Bonnet Adapter	Actuator Torque (lb-in)				
				44	88	175	300	
		Close-Off (psi)						
		1.5	Q5024A1130 and GU5024-002		50	105		
		2			30	60	105	
	2.5	Q5024A1123 and GU5024-002			55	90		
	3				35	65		
	Dual Actuator Linkage							
					Actuator Torque (lb-in)			
					350 (2 x 175)		600 (2 x 300)	
					Close-Off (psi)			
	4	Q5024B2230 and GU5024-003	18		48			
	5	Q5024B2240 and GU5024-003	12		21			
	6		10		16			
Valve Model	Single Actuator Linkage							
658	Valve Connection Size (inch)	Linkage and Bonnet Adapter	Actuator Torque (lb-in)					
			44	88	175	300		
	Close-Off (psi)							
	0.5	Q5024A1116 and GU5024-001	230	230				
	0.75		165	230				
	1		100	190				
1.25	65		120					
Valve Model	Single Actuator Linkage							
599	Valve Connection Size (inch)	Linkage and Bonnet Adapter	Actuator Torque (lb-in)					
			44	88	175	300		
	Close-Off (psi)							
	0.5	Q5024A1123	230	230				
	0.75		130	230				
	1		80	140	230			
	1.25		50	90	200			
	1.5			65	140			
	2			35	80	140		
	2.5				55	90		
	3				35	65		
Dual Actuator Linkage								
				Actuator Torque (lb-in)				
				350 (2 x 175)		600 (2 x 300)		
				Close-Off (psi)				
4	Q5024B2240	18		38				
5		12		21				
6		10		16				

Table 3. Linkage and Actuator Selection. (Continued)

Manufacturer	Valve Model	Single Actuator Linkage						
		Valve Connection Size (inch)	Linkage and Bonnet Adapter	Actuator Torque (lb-in)				
Siebe Barber Colman Invensys	VB-111 Series					44	88	175
		Close-Off (psi)						
		0.5	Q5024A1116 and BU5024-001	230	230			
		0.75		165	230			
		1		100	190			
	1.25	65		120				
	Valve Model		Single Actuator Linkage					
	VB-921 Series				44	88	175	300
		Close-Off (psi)						
		0.5	Q5024A1116 and BU5024-001	230	230			
		0.75		165	230			
		1		100	190			
		1.25		65	120			
		1.5	Q5024A1130 and BU5024-002		50	105		
		2			30	60	105	
		Valve Model		Dual Actuator Linkage				
		Actuator Torque (lb-in)						
		350 (2 x 175)		600 (2 x 300)				
		Close-Off (psi)						
2.5	Q5024B2230 and BU5024-003	75		123				
3	Q5024B2240 and BU5024-003	37		60				
Valve Model		Single Actuator Linkage						
VB-922 Series VB-925 Series VB-926 Series				44	88	175	300	
	Close-Off (psi)							
	0.5	Q5024A1116 and BU5024-001	230	230				
	0.75		165	230				
	1		100	190				
	1.25		65	120				
	1.5	Q5024A1130 and BU5024-002		50	105			
	2			30	60	105		
	Valve Model		Dual Actuator Linkage					
			Actuator Torque (lb-in)					
		350 (2 x 175)		600 (2 x 300)				
		Close-Off (psi)						
2.5	Q5024B2230 and BU5024-003	75		123				
3	Q5024B2240 and BU5024-003	50		80				

Table 3. Linkage and Actuator Selection. (Continued)

Siebe Barber Colman Invensys (continued)	Valve Model	Single Actuator Linkage					
	VB-927 Series VB-928 Series	Valve Connection Size (inch)	Linkage and Bonnet Adapter	Actuator Torque (lb-in)			
				44	88	175	300
		Close-Off (psi)					
		0.5	Q5024A1116 and BU5024-001	230	230		
		0.75		165	230		
		1		100	190		
		1.25		65	120		
	1.5	Q5024A1130 and BU5024-002		50	105		
	2			30	60	105	
	Valve Model	Single Actuator Linkage					
	VB-931 Series	Valve Connection Size (inch)	Linkage and Bonnet Adapter	Actuator Torque (lb-in)			
				44	88	175	300
		Close-Off (psi)					
		0.5	Q5024A1116 and BU5024-001	230	230		
		0.75		165	230		
		1		100	190		
1.25		65		120			
1.5		Q5024A1130 and BU5024-002		50	105		
2				30	60	105	
Dual Actuator Linkage							
			Actuator Torque (lb-in)				
			350 (2 x 175)		600 (2 x 300)		
			Close-Off (psi)				
2.5	Q5024B2230 and BU5024-003	75		123			
3		50		80			
4	Q5024B2240 and BU5024-003	18		38			

Table 3. Linkage and Actuator Selection. (Continued)

Siebe Barber Colman Invensys (continued)	Valve Model VB-932 Series	Single Actuator Linkage						
		Valve Connection Size (inch)	Linkage and Bonnet Adapter	Actuator Torque (lb-in)				
				44	88	175	300	
			Close-Off (psi)					
			0.5	Q5024A1116 and BU5024-001	230	230		
			0.75		165	230		
			1		100	190		
			1.25		65	120		
			1.5	Q5024A1130 and BU5024-002		50	105	
			2			30	60	105
			2.5	Q5024A1123 and WU5024-001			55	90
			3				35	65
			Dual Actuator Linkage					
							Actuator Torque (lb-in)	
							350 (2 x 175)	600 (2 x 300)
							Close-Off (psi)	
			4	Q5024B2230 and WU5024-001	25		48	
			5		18		27	
			6	Q5024B2240 and WU5024-001	11		16	
	Valve Model VB-7213 VB-7313	Single Actuator Linkage						
		Valve Connection Size (inch)	Linkage and Bonnet Adapter	Actuator Torque (lb-in)				
				44	88	175	300	
			Close-Off (psi)					
			0.5	Q5024A1116 and BU5024-001	230	230		
			0.75		165	230		
			1		100	190		
			1.25		65	120		
			1.5			85		
			2			45		
Belimo	Valve Model G- series	Single Actuator Linkage						
		Valve Connection Size (inch)	Linkage and Bonnet Adapter	Actuator Torque (lb-in)				
				44	88	175	300	
			Close-Off (psi)					
			0.5	Q5024A1116 and BU5024-001	230	230		
			0.75		165	230		
			1		100	190		
			1.25		65	120		
			1.5			85		
			2			45		

NOTE: If your valve is not listed above fill out Special Order Form located below.

NOTE: The listed close-off pressures are estimated numbers only.

NOTE: The information in this table is based on publicly available information as of the date of this publication. Honeywell is not liable if information is found to be incorrect

Table 4. Bonnet and Stem Adapters.

Manufacturer	Part Number	Description
Johnson Controls	JU5024-001/U	Bonnet adapter 20mm diameter -1.5mm thread pitch with 1/4"-28 TPI* stem adapter
	JU5024-002/U	Bonnet adapter 1-1/16" diameter-16 TPI with 3/8"-24 TPI stem adapter
	JU5024-003/U	Bonnet adapter 28mm diameter-1.5mm thread pitch with 1/4"-28 TPI stem adapter
	JU5024-004/U	Bonnet adapter 3/4" diameter-16 TPI with 3/8"-24 TPI stem adapter
	JU5024-005/U	Bonnet adapter 3/4" diameter- 18 TPI with 1/4"-28 TPI stem adapter
	JU5024-006/U	Bonnet adapter 1.59" diameter-14 TPI with 1/2"-20 TPI and 3/8"-24 TPI stem adapter
Siemens, Landis Powers	GU5024-001/U	Bonnet adapter 1-5/16" diameter with 1/4"-28 TPI stem adapter
	GU5024-002/U	Bonnet adapter 1-3/32" diameter-14 TPI with 1/4"-28 TPI stem adapter
	GU5024-003/U	Bonnet adapter 1-3/8" diameter - 20 TPI with 3/8"-24 TPI stem adapter
Siebe, Barber Colman, Invensys	BU5024-001/U	Bonnet adapter 1-1/4" diameter-16 TPI with 1/4"-28 TPI stem adapter
	BU5024-002/U	Bonnet adapter 1" diameter - 16 TPI with 5/15"-24 TPI stem adapter
	BU5024-003/U	Bonnet adapter 1-1/4" diameter - 16 TPI with 1/2"-20 TPI stem adapter
	WU5024-001/U	Bonnet adapter 1-3/8" diameter -18 TPI with 3/8"-24 TPI stem adapter
Honeywell	HU5024-001/U	Bonnet adapter 1-3/8" diameter with 1/4"-28 TPI stem adapter
	HU5024-002/U	Bonnet adapter 1-7/8" diameter with 1/2"-20 TPI stem adapter

* TPI - threads per inch

NOTE: If you require a different length stem adapter fill out the Special Order Form located below.

Table 5. Bonnet Adapter Kits.

Kit Part Number	Description	Contents
JU5024-NPTKIT/U	Globe Valve Adapter kit for JCI NPT Valves (1/2" - 2")	JU5024-001*, JU5024-003*, JU5024-005* bonnet adapter, 1 of 1/4"-28 TPI stem adapter
JU5024-FLGKIT/U	Globe Valve Adapter kit for JCI Flange Valves (2.5" - 6")	JU5024-002*, JU5024-004* bonnet adapter, 1 of 3/8"-24 TPI and 1/2"-20 TPI stem adapters
GU5024-KIT/U	Globe Valve Adapter kit for Siemens, Landis Powers (1/2" - 6")	GU5024-001*, GU5024-002*, GU5024-003* bonnet adapter, 1 of 1/4"-28 TPI and 1 of 3/8"-24 TPI stem adapters
BU5024-NPTKIT/U	Globe Valve Adapter kit for Siebe, Barber Coleman, Invensys NPT (1/2" - 2")	BU5024-001*, BU5024-002* bonnet adapter, 1 of 1/4"-28 TPI stem adapter
BU5024-FLGKIT/U	Globe Valve Adapter kit for Siebe, Barber Coleman Flange, Invensys (2.5" - 6)	BU5024-003*, WU5024-001* bonnet adapter, 1 of 3/8"-24 TPI and 1 of 1/2"-20 TPI stem adapters

* Bonnet adapter only. For sizing see Table 4.

INSTALLATION

When Installing this Product...

1. Read these instructions carefully. Failure to follow them could damage the product or cause a hazardous condition.
2. Check the ratings given in the instructions and on the product to make sure that the product is suitable for your application.
3. Installer must be a trained, experienced service technician.
4. After installation is complete, verify product operation as provided in these instructions.

Location

Select a location in which the valve, linkage, and motor will be within the environmental and ambient temperature ratings. See the specifications section.

NOTE: Allow approximately 12 in. clearance above the valve bonnet for installation and servicing.

Mounting

IMPORTANT

1. Ensure the valve stem stroke matches the Q5024 linkage. See Table 1.
2. Mounting the Q5024 on a non-Honeywell valve requires the correct bonnet and stem adapter. See Table 4.

Preparation

When using a high-torque actuator (175 lb-in. or greater torque) a steel stem button is required. If the valve stem button is brass, replace the brass stem button with the provided steel stem button:

1. Measure the stem button height (from the valve bonnet to the top of the button).
2. Loosen the set screw of the brass stem button.
3. Remove and discard the brass stem button.
4. Install the steel stem button.
5. Ensure the stem button height is the same as in step 1.
6. Tighten the set screw of the steel button.

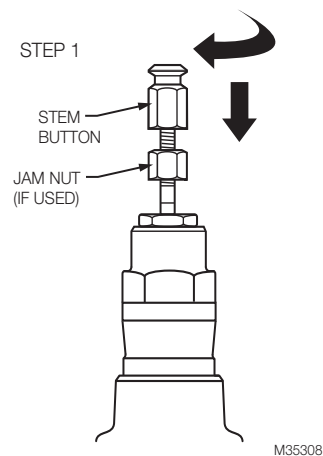
Installation

1. De-energize the valve and if needed, take it out of service.
2. Remove the existing actuator from the valve.
3. Clean the threads on the valve
4. For threaded stems, run a jam nut all the way down the stem. Thread the stem adapter firmly onto the stem. Then turn the jam nut back up until it hits the adapter and tighten the two in place.
5. If a bonnet adapter is used:
 - a. If threaded, firmly screw the adapter onto the valve bonnet.
 - b. If not threaded, tighten the adapter set screws into the valve bonnet.

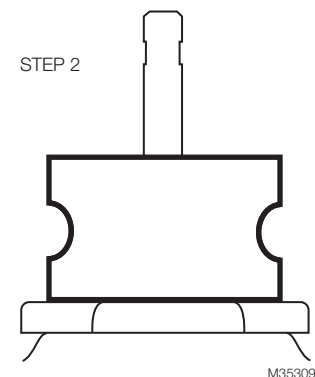
6. Slide the linkage box over the bonnet adapter on the valve. Insert the two long bolts through the hole at the bottom of the linkage, lined up with the notch on the adapter. Once through, attach washer, lock washer, and tighten firmly.
7. Loosen the two 5mm Allen head screws on the stem clip and slide it over the notch on the stem adapter. Then tighten the two screws.
8. Verify that the valve stem stroke direction and the actuator rotation direction are properly related. For example, assume a spring return actuator and a 2-way, stem down to close, normally-closed valve are used together. With an unpowered actuator, the valve should be fully closed. To accomplish this rotate the actuator arm on the linkage fully counterclockwise. This moves the valve stem fully downward so that when the actuator turns counterclockwise the valve will close.
9. Mount the actuator onto the actuator arm approximately five degrees from its end stop with the valve fully seated. This ensures that the actuator closes the valve before it reaches its end-stop.
10. Place the anti-rotation pin into the bracket slot, and slide into the notch on the rear of the actuator. Next secure the actuator to the actuator arm and finish by tightening the anti-rotation nut. Complete installation with wiring the actuator.

LINKAGE INSTALLATION

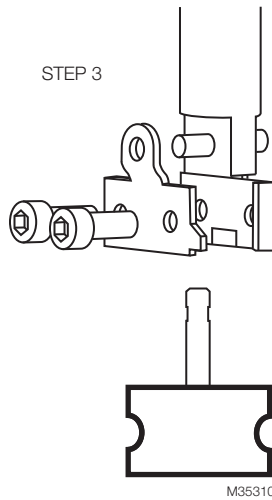
1. Remove any existing linkages then screw the jam nut and stem adapter onto the valve stem.



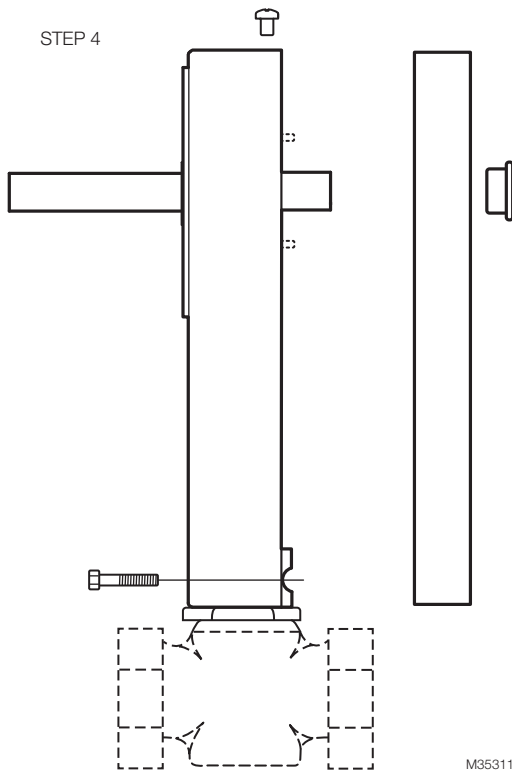
2. Screw the bonnet adapter onto the valve neck and tighten.



3. Attach the stem adapter to the mounting clips and tighten the screws.



4. Use two bolts to secure the valve to the linkage.



CHECKOUT

After installing the linkage and the actuator, proceed as follows:

1. Apply power to the actuator.
2. Cycle the valve through at least one complete stroke to ensure proper operation.
3. Ensure that the valve seats before the actuator reaches the stroke end.

NOTE: For 3-way valves it is important to make sure that the plug sits properly on both the upper and the lower seats before the actuator reaches either end of its full stroke.

4. If the valve does not travel or seat properly and is installed correctly, check Table 3. Ensure the valve, actuator, and linkage combination is correct for your application.
5. If the preceding troubleshooting steps do not locate the problem, check both the actuator and valve individually (see Checkout sections of the device instructions). For example, the actuator stroke may be impeded or the valve stem button height may be out of adjustment.
6. If the valve and actuator operate properly but the valve, actuator, and linkage combination does not, replace the linkage.



CAUTION

Follow these instructions carefully when installing this product; failure to follow these instructions and the instructions of other products used with this linkage may result in damage to the product or personal injury. Use caution in removing pneumatic actuators from valves as the springs may be under pressure. Installer must be a trained, experienced technician.

SPECIAL ORDER FORM

This form is to be used if your existing valve is not listed in the selection chart located in the Globe Valve Linkage literature. Make photocopies of this form as needed and e-mail completed forms to Honeywell's Take off Service at takeoff.service@honeywell.com to ensure proper linkage compatibility. A separate form should be used for each valve when information is different for valve size or manufacturer. Please fill out form completely. Draw your own diagram using the space in Figure No. 4 below if necessary.

Quantity: _____
 Valve Body Information: _____
 Figure No. (choose 1, 2, or 3 below): _____
 Manufacturer (if known): _____
 Model No. (if known): _____
 Valve Size: _____
 ___ 2 Way ___ 3 Way

Actuator (Mark all that apply):
 ___ On/Off ___ Tri-State ___ Modulating
 ___ Spring Return
 ___ 24 V ___ 120 V
 ___ Weather Proof Enclosure
 Approximate Close-Off Required: _____ (PSI)

Valve Body Dimensions (see below for letter designations):

A= _____
 B= _____
 C= _____, _____ th/in
 D= _____, _____ th/in
 E= _____
 F= _____
 G= _____
 H= _____
 I= _____
 J= _____

Letter Designations (for above):

A = Height with stem down
 B = Length of neck
 C = Stem diameter and threads/inch
 D = Major diameter and threads/inch
 E = Lift (Stroke Length)
 F, G, H, I = Neck dimensions

Comments:

	<p style="text-align: center;">Figure No. 4 (Draw your own)</p>

By using this Honeywell literature, you agree that Honeywell will have no liability for any damages arising out of your use or modification to, the literature. You will defend and indemnify Honeywell, its affiliates and subsidiaries, from and against any liability, cost, or damages, including attorneys' fees, arising out of, or resulting from, any modification to the literature by you.

Automation and Control Solutions

Honeywell International Inc.
1985 Douglas Drive North
Golden Valley, MN 55422
customer.honeywell.com

© U.S. Registered Trademark
© 2014 Honeywell International Inc.
38-00020—01 M.S. 11-14
Printed in United States

Honeywell