

CR Series Command Relays

SPECIFICATION DATA



FEATURES

- 35mm Din-rail mounting flange
- SPDT Form 1C Relay contacts
- Pilot duty rated
- LED status indication
- Stackable for streamlined installation
- Can be used with any Honeywell analog current sensor or switch

APPLICATION

The CR (Command Relay) Series brings control (start/stop) functionality to your load trending and fan/pump/motor status monitoring applications. Each unit has a Form 1C-SPDT relay which means you have both a N/O and a N/C contact in the same unit. (See Table 1 for output ratings).

The 35mm Din-Rail Mounting Flange will allow you to use the CR Series with any Honeywell analog current sensor or switch. This will reduce your inventory by not having to stock as many different items. The stacking feature will also allow you to reduce the required panel space, since up to two CR Series Command Relays may be stacked together during installation.

The command relays are for use with:

- Motor control
- Lighting applications
- Interposing relay
- Control pumps/compressors
- Appliances/industrial equipment

SPECIFICATIONS

Din Rail: 35mm

Dimensions: 34.32 mm W x 41.46 mm H x 33.52 mm D

Unit Weight: 2 oz (0.125lb.)

Enclosure: UL94-5VB / Burgundy

Operating Temp: -15 to 40°C (5 to 104°F)

Operating RH: 0 to 95% RH, non-condensing

Status LED: All units

Approvals:
UL 508 (E179139)
CE



Table 1. CR Models.

Part #	Description	Contact Ratings (All SPDT)	Coils
CR-DC-5A	5 Amp SPDT Relay, 23-31.2 VDC Coil Voltage	5A (NO)/2A(NC) @ 250VAC 5A(NO)/3A(NC) @ 125VAC	23-31.2VDC, 15mA@24VDC
CR-DC-12A	12 Amp SPDT Relay, 20-31.2 VDC Coil Voltage	12A @ 250VAC 12A @ 30VDC	20-31.2VDC, 16mA@24VDC
CR-12DC-12A	12 Amp SPDT Relay, 10-15.6 VDC Coil Voltage	12A @ 250VAC 12A @ 30VDC	10-15.6VDC, 30mA@12VDC
CR-24AC-10A	10 Amp SPDT Relay, 16-26.4 VAC Coil Voltage	10A @ 250VAC 10A @ 24VDC	16-26.4VAC, 28mA@24VAC
CR-115AC-8A	8 Amp SPDT Relay, 80-132 VAC Coil Voltage	8A @ 250VAC 8A @ 30VDC	80-132VAC, 10mA@115VAC
CR-230AC-8A	8 Amp SPDT Relay, 165-264 VAC Coil Voltage	8A @ 250VAC 8A @ 30VDC	165-264VAC, 5mA@230VAC

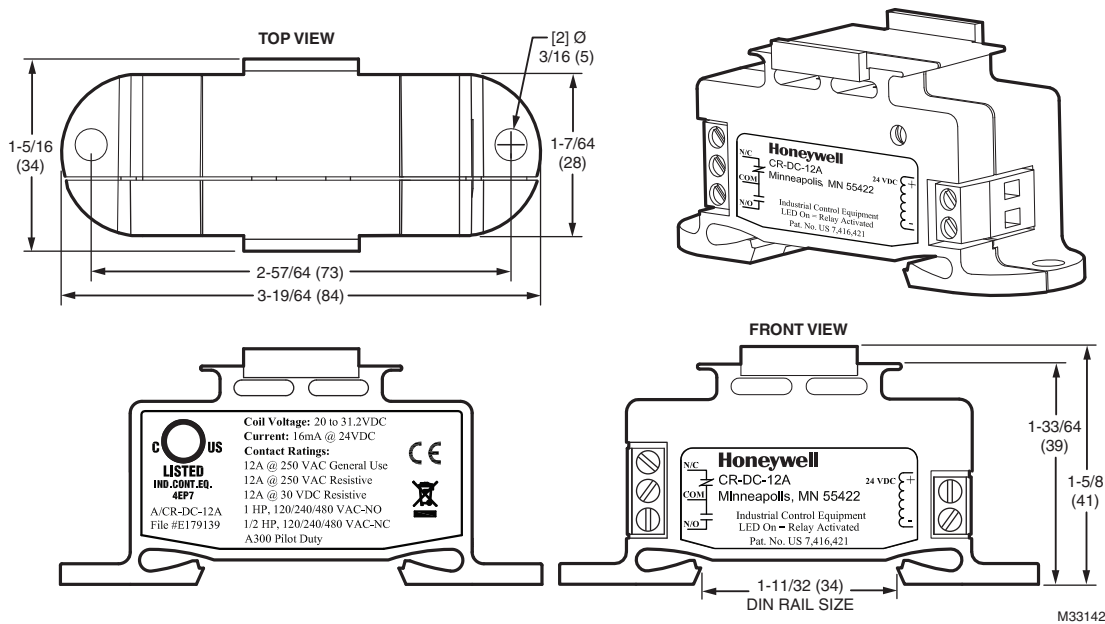


Fig. 1. Dimensions in in (mm).

WARNING
Not intended to be used in Life & Safety Applications or for use in any hazardous locations.

By using this Honeywell literature, you agree that Honeywell will have no liability for any damages arising out of your use or modification to, the literature. You will defend and indemnify Honeywell, its affiliates and subsidiaries, from and against any liability, cost, or damages, including attorneys' fees, arising out of, or resulting from, any modification to the literature by you.

Automation and Control Solutions

Honeywell International Inc.
1985 Douglas Drive North
Golden Valley, MN 55422
customer.honeywell.com

© U.S. Registered Trademark
© 2012 Honeywell International Inc.
63-2721—03 M.S. Rev. 07-12
Printed in United States

